

SUREFLOW® GATE VALVES RESILIENT OR METAL SEATED - SHOULDERED END

DN 100 & DN 150. NON RISING SPINDLE



Ductile Iron body and bonnet for high strength and impact resistance
Grade 431 stainless steel spindle for high strength and corrosion resistance
Back seal facility to allow for replacement of seals under full operating pressure
Fusion bonded epoxy coating for long life corrosion protection
Isolated fasteners for corrosion protection
Integral cast-in feet for safe and easy storage
Integral lifting lugs for installation convenience
Clockwise closing
Hand wheel operation
Designed and manufactured to AS 2638.2

SUREFLOW RESILIENT SEATED GATE VALVES

Ductile Iron gate fully encapsulated in EPDM rubber to ensure drop tight sealing
Straight through full bore to avoid debris traps
Dezincification resistant copper alloy seal housing incorporating dual O-ring seals and wiper ring for long life operation

SUREFLOW METAL SEATED GATE VALVES

Solid gunmetal gate
Gunmetal dezincification resistant top casting incorporating dual O-ring seals and wiper ring for long life operation
Body-red oxide coating
Designed and manufactured to AS2638.1

GENERAL APPLICATION

Suitable for use with water or wastewater applications

SUREFLOW Shouldered End Gate Valves are commonly used in mining and fire service applications

TECHNICAL DATA

Size Range DN 100 and DN 150

Allowable Operating Pressures
Resilient Seated 2500kPa
Metal Seated 3500kPa

Maximum Temperature 40°C

End Connections:
Shouldered End

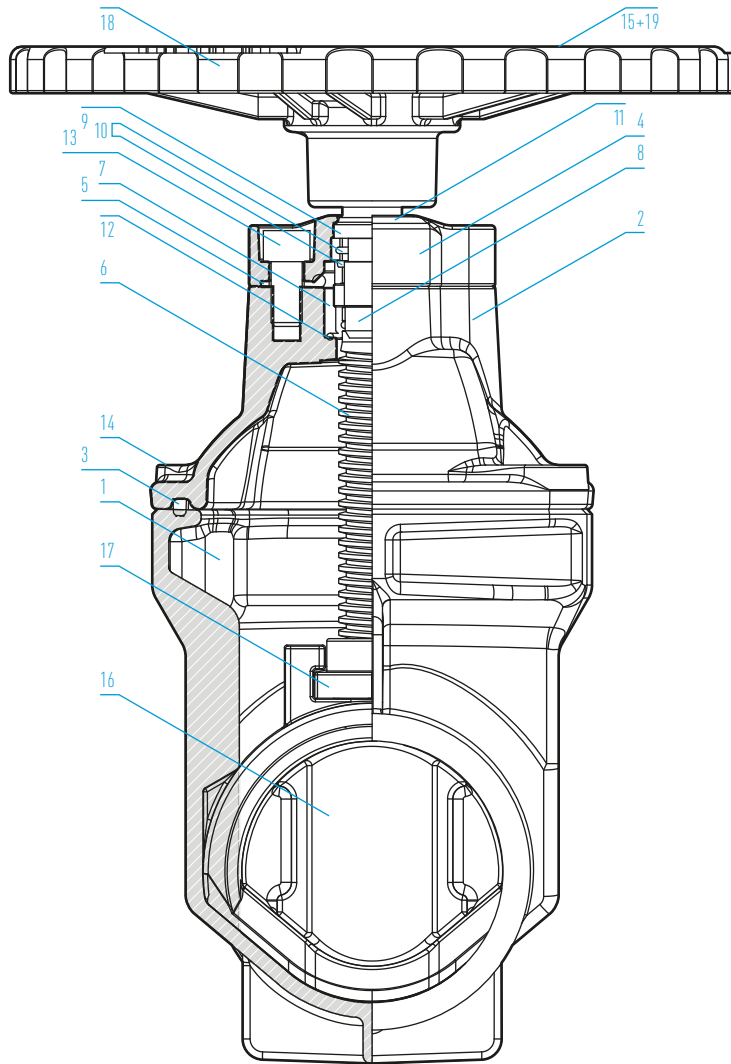
Standards AS 2638 - Gate valves for waterworks purposes

Certifications:
ProductMark Licence PRD/R61/0412/2

SUREFLOW® GATE VALVES

RESILIENT SEATED - SHOULDERED END

DN 100 & DN 150. NON RISING SPINDLE



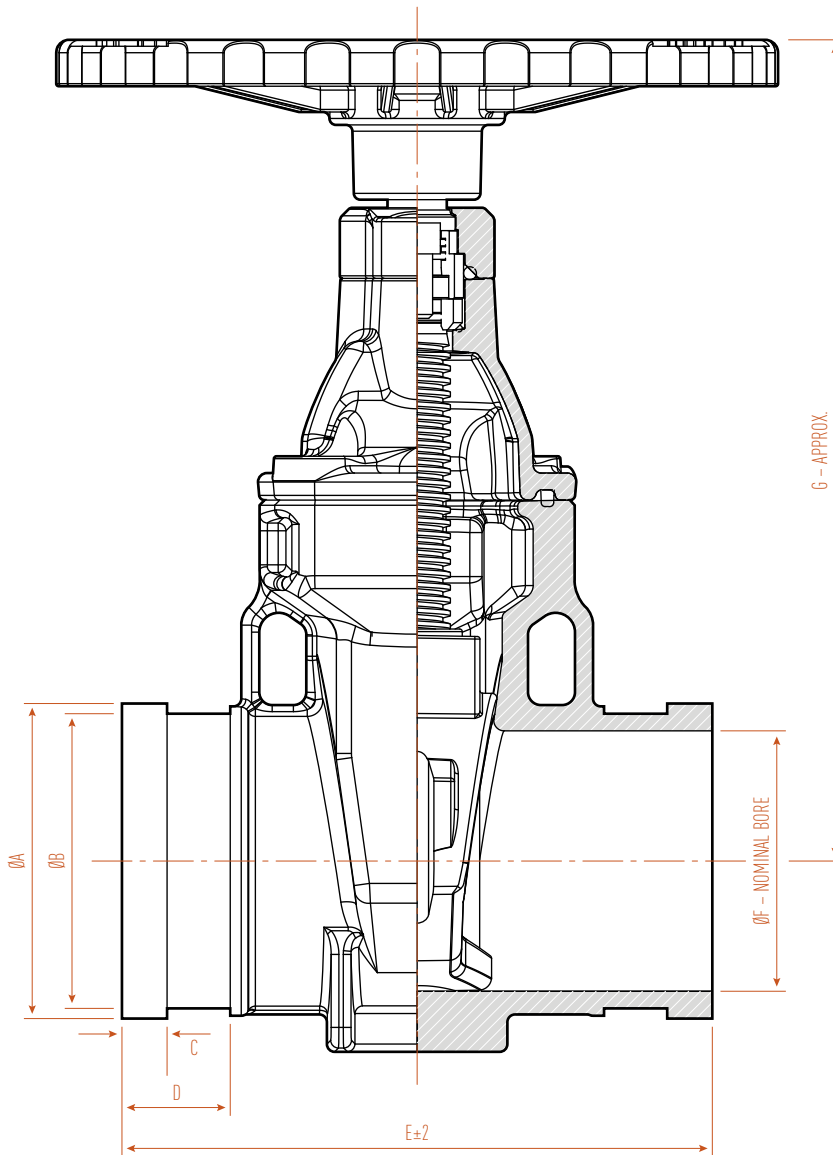
PARTS LIST

No	Description Material / Standard
1	Body SGI / AS 1831/400-15
2	Bonnet SGI / AS 1831/400-15
3	Body Gasket EPDM / AS 1646/70IRHD
4	Retaining Plate SS / AS 2837/316
5	Top Gasket EPDM / AS 1646/DURO 70-75
6	Stem SS / ASTM A276/431
7	Collet Set DZR / AS 1567/C35200 or C48600
8	Backseal Collar DZR / AS 1567/C35200 or C48600
9	Seal Housing Bush DZR / AS 1567/C35200 or C48600
10	O-Rings NBR / AS 1646/70 DURO
11	Wiper Ring NBR / AS 1646/70 DURO
12	O-Ring NBR / AS 1646/70 DURO
13	Cap Screw Stainless Steel / ASTM A276 316
14	Countersunk Screw Stainless Steel / ASTM A276 316
15	Hex Head Screw Stainless Steel / ASTM A276 316
16	Wedge SGI / AS1831/400-15 - EPDM Coating
17	Wedge Nut DZR / AS 1567/C35200 or C48600
18	Handwheel SGI / AS 1831/400-15
19	Extra Large Washer SS / ASTM A276/316

SUREFLOW® GATE VALVES

RESILIENT SEATED - SHOULDERED END

DN 100 & DN 150. NON RISING SPINDLE



RECOMMENDED SPECIFICATION

Gate valves shall be resilient seated conforming to AS2638.2

The allowable operating pressure shall be 2500kPa

Operation shall be by means of a handwheel

The direction of closing shall be clockwise

The valve body and bonnet shall be cast in Ductile Iron and coated with a thermally applied polymeric coating to AS/NZS 4158

The gate shall be cast in Ductile Iron and fully encapsulated in EPDM rubber - partially coated wedges are not acceptable.

The spindle shall be grade 431 stainless steel incorporating a failsafe thrust collar

The spindle seal retainer shall be manufactured from a dezincification resistant copper alloy to AS 1567

A spindle wiper seal shall be fitted to the spindle to prevent ingress of dirt and foreign matter

A spindle seal shall be effected by a minimum of two o-rings, which can be replaced under full operating pressure

Fasteners shall be completely isolated from the external environment

Valves shall be manufactured under a product certification scheme and each valve marked in accordance with the certification body's requirements

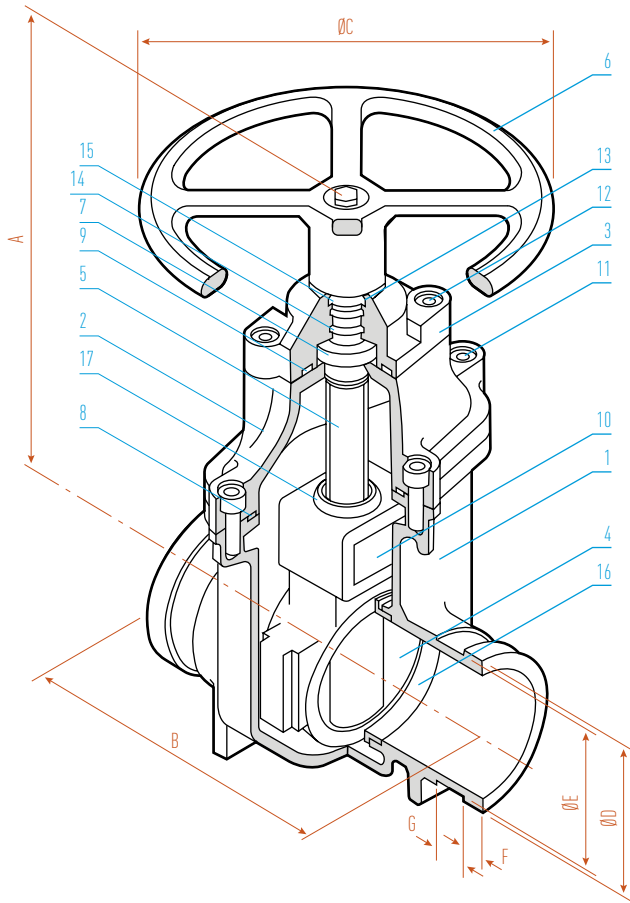
DIMENSIONS

DN	A	B	C	D	E	F	G	Mass kg	Turns to Seal	Torque to Seal
100	122.2	114.3	17.5	42	229	101	320	15	21	40
150	175.1	165.1	17.5	56	267	151	395	20	32	60

SUREFLOW® GATE VALVES

METAL SEATED - SHOULDERED END

DN 100 & DN 150. NON RISING SPINDLE



PARTS LIST

No	Description Material / Standard
1	Body Ductile Iron / AS 1831-400/15
2	Bonnet Ductile Iron / AS 1831-400/15
3	Seal Retainer Gun Metal / AS 1565 C83600
4	Gate Gun Metal / AS 1565 C83600
5	Spindle Stainless Steel / ASTM A276 431
6	Handwheel Ductile Iron / AS 1831-400/15
7	Thrust Washer Acetyl
8	Body Gasket EPDM Rubber / AS 1646
9	Bonnet Gasket EPDM Rubber / AS1646
10	Gate Nut Gunmetal / AS 1565 C83600
11	Countersunk Cap Screw Stainless Steel / ASTM A276 316
12	Socket Head Cap Screw Stainless Steel / ASTM A276 316
13	Hex Head Screw Stainless Steel / ASTM A276 431
14	O-Ring Nitrile Rubber / AS 1646
15	Wiper Ring Nitrile Rubber / AS 1646
16	Body Ring Gun Metal / AS 1565 C83600
17	Backseal Grommet Nitrile Rubber / AS 1646

DIMENSIONS

DN	Height A	Length B	Handwheel ØC	ØD	ØE	F	G
100	400	230	275	122.2	114.3	17.5	24.5
150	490	270	275	175.1	166.1	17.5	38.5

AUCKLAND

P +64 9 921 7230
F +64 9 921 7231
sales@asmusswater.co.nz

CHRISTCHURCH

P +64 3 349 1530
F +64 9 921 7231
sales@asmusswater.co.nz

HAMILTON

P +64 7 849 0535
F +64 7 849 6980
sales@asmusswater.co.nz

WELLINGTON

P +64 4 913 8510
F +64 4 913 8511
sales@asmusswater.co.nz

ASMUSS WATER SYSTEMS

8 CLEMOW DRIVE, MT WELLINGTON, AUCKLAND 1644 NEW ZEALAND / WWW.ASMUSSWATER.CO.NZ

All Asmuss trademarks and logos are owned by Asmuss Ltd. All other brand or product names are trademarks or registered marks of their respective owners. Because we are continuously improving our products and services, Asmuss reserves the right to change specifications without prior notice. APPNZ1405©2014 Asmuss Ltd. All rights reserved

VIADUX WATER NETWORK SYSTEMS

PO BOX 141 FAIRFIELD, NEW SOUTH WALES 1860 / VIADUX.COM.AU / PHONE 02 9794 3400 AUSTRALIA

All Viadux trademarks and logos are owned by Viadux Pty Ltd. All other brand or product names are trademarks or registered marks of their respective owners. Because we are continuously improving our products and services, Viadux reserves the right to change specifications without prior notice. TSEGV1506