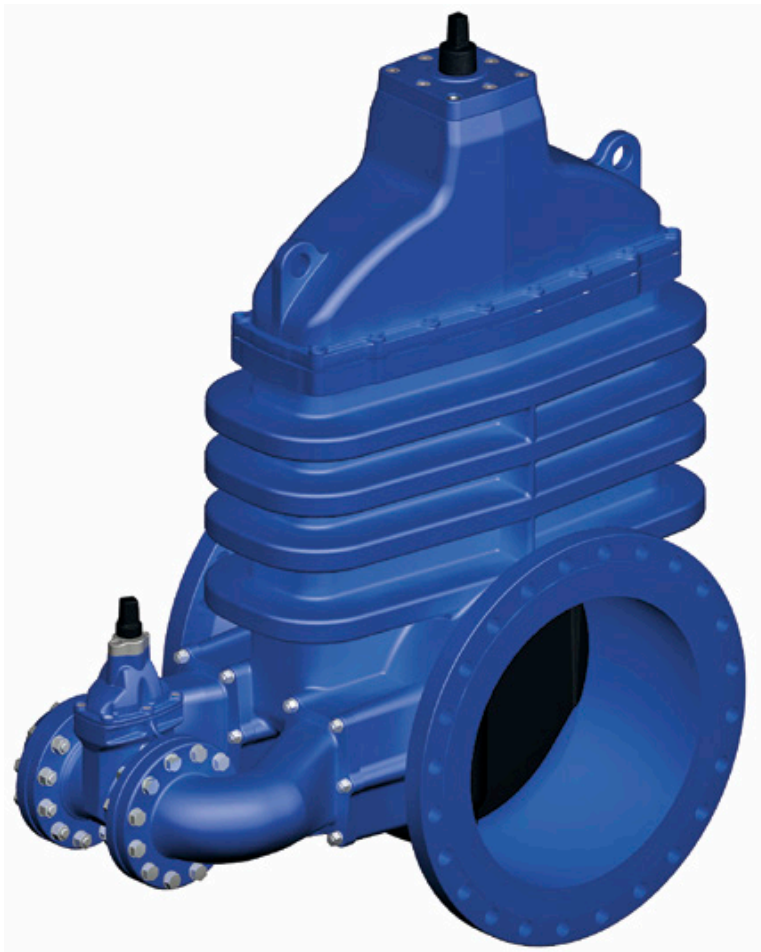


SUREFLOW® GATE VALVE/INTEGRAL BYPASS RESILIENT SEATED - FIGURE 500

DESIGNED AND MANUFACTURED TO AS 2638.2



- Matched bypass for faster line filling
- Ductile Iron body and bonnet for high strength and impact resistance
- Ductile iron gate fully encapsulated in EPDM rubber to ensure drop tight seal
- Thermally bonded polymeric coating for long life corrosion protection
- DN 100 / DN 150 bypass valve flange gaskets compressed fibre TEADIT® NA1000
- Bolts, nuts and washers: Grade 316 stainless steel

DESCRIPTION

Opening open bypass valve first, before opening main valve

Closing close main valve first followed by bypass valve

The SUREFLOW Resilient Seated Gate Valve - Fig 500 technical data sheet should be read in conjunction with this Bypass data sheet as a source of additional information

GENERAL APPLICATION

- A bypass valve is utilised
 - when filling a pipeline to minimise risk of structural damage to its components and/or
 - to reduce operating torque when opening the large valve by equalising pressure across the gate

SUREFLOW Figure 500 Resilient Seated Gate Valves are suitable for use with drinking water and wastewater, in below or above ground applications

Used for the isolation of sections and branches in pipelines

TECHNICAL DATA

Size Range

DN 375 / DN 80 bypass
DN 450 / DN 100 bypass
DN 500 / DN 150 bypass
DN 600 / DN 150 bypass

Allowable Operating Pressure 1600kPa

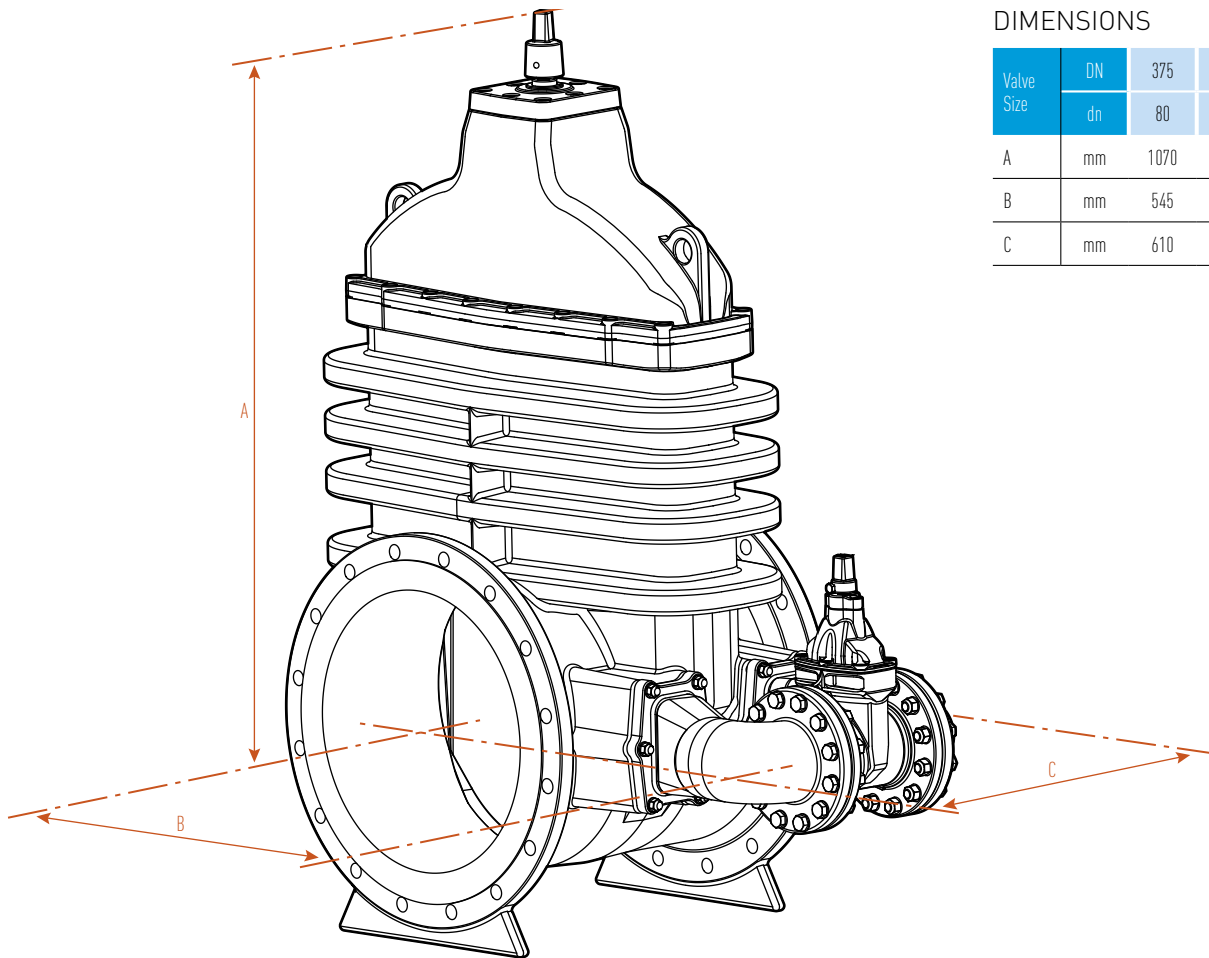
Maximum Temperature 40°C

End Connections

Flanged to AS 4087 Fig B5

SUREFLOW® GATE VALVE/INTEGRAL BYPASS RESILIENT SEATED - FIGURE 500

FIGURE 500 RESILIENT SEATED GATE VALVES ARE DESIGNED AND MANUFACTURED TO AS 2638.2



DIMENSIONS

Valve Size	DN	375	450	500	600
	dn	80	100	150	150
A	mm	1070	1145	1280	1460
B	mm	545	665	780	855
C	mm	610	660	710	785

AUCKLAND

P +64 9 921 7230
F +64 9 921 7231
sales@asmusswater.co.nz

CHRISTCHURCH

P +64 3 349 1530
F +64 9 921 7231
sales@asmusswater.co.nz

HAMILTON

P +64 7 849 0535
F +64 7 849 6980
sales@asmusswater.co.nz

WELLINGTON

P +64 4 913 8510
F +64 4 913 8511
sales@asmusswater.co.nz

ASMUSS WATER SYSTEMS

8 CLEMOW DRIVE, MT WELLINGTON, AUCKLAND 1644 NEW ZEALAND / WWW.ASMUSSWATER.CO.NZ

All Asmuss trademarks and logos are owned by Asmuss Ltd. All other brand or product names are trademarks or registered marks of their respective owners. Because we are continuously improving our products and services, Asmuss reserves the right to change specifications without prior notice. APPNZ1405©2014 Asmuss Ltd. All rights reserved

VIADUX WATER NETWORK SYSTEMS

PO BOX 141 FAIRFIELD, NEW SOUTH WALES 1860 / VIADUX.COM.AU / PHONE 02 9794 3400 AUSTRALIA

All Viadux trademarks and logos are owned by Viadux Pty Ltd. All other brand or product names are trademarks or registered marks of their respective owners. Because we are continuously improving our products and services, Viadux reserves the right to change specifications without prior notice. TMSGV41506