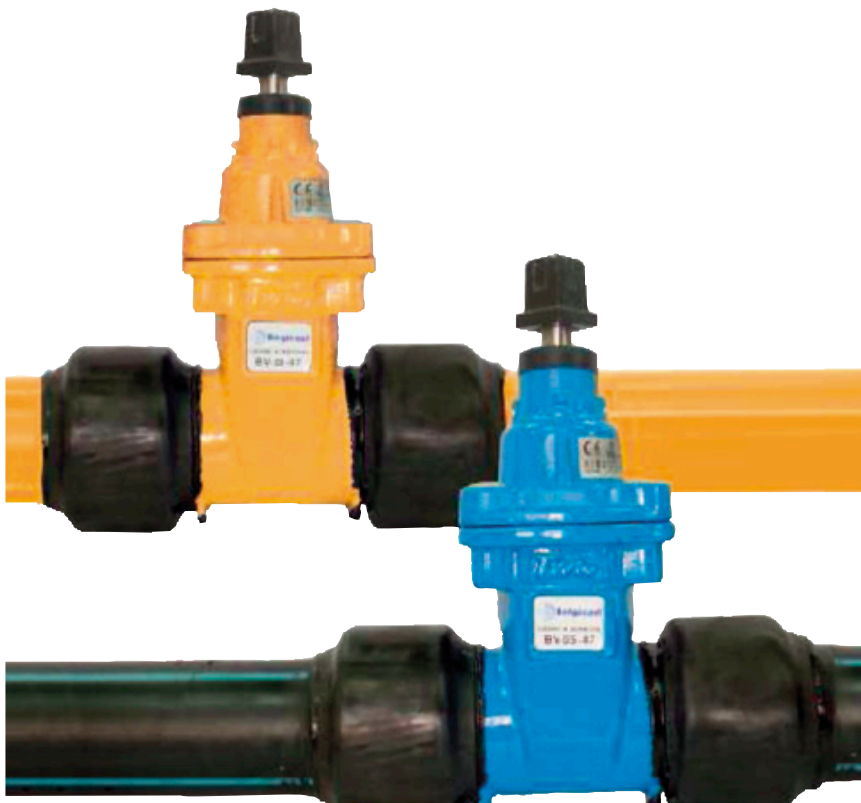


BELGICAST® GATE VALVES RESILIENT SEATED - POLYETHYLENE ENDS

DN 50 - DN 300 PN 16. FOR WELDED INSTALLATION BY FUSION TO POLYETHYLENE PIPE



Ductile Iron body and bonnet for high strength and impact resistance

Ductile Iron gate fully encapsulated in EPDM elastomer to ensure drop tight sealing

Grade 420 stainless steel spindle for high strength and corrosion resistance.

Seal housing incorporates dual O-ring seals and wiper ring for long life operation

Back seal facility to allow for replacement of seals under full operating pressure

Thermally bonded polymeric coating for long life corrosion protection

Straight through full bore to avoid debris traps

Isolated fasteners for corrosion protection

Integral cast-in feet for safe and easy storage

Anticlockwise closing or clockwise closing available

Key or hand wheel operation

DESCRIPTION

A range of Resilient Seated Gate Valves designed for welded installation by fusion to polyethylene pipe. PN 16

DN 50 to DN 300

GENERAL APPLICATION

BELGICAST Resilient Seated Gate Valves are suitable for use with potable water and wastewater in below or above ground applications. Used for the isolation of sections and branches in pipelines

TECHNICAL DATA

Pipe OD Range 63, 75, 90, 110, 125, 140, 160, 180, 200, 225, 250, 315

Allowable Operating Pressure 1600kPa

Maximum Temperature 40°C

End Connection PE 100 PN 16.5

Approvals

Sydney Water and Gold Coast Water

Specifications

WSA PS-259 SWC
PE ends: NF T 54-063,
DIN 8074 or NE53966

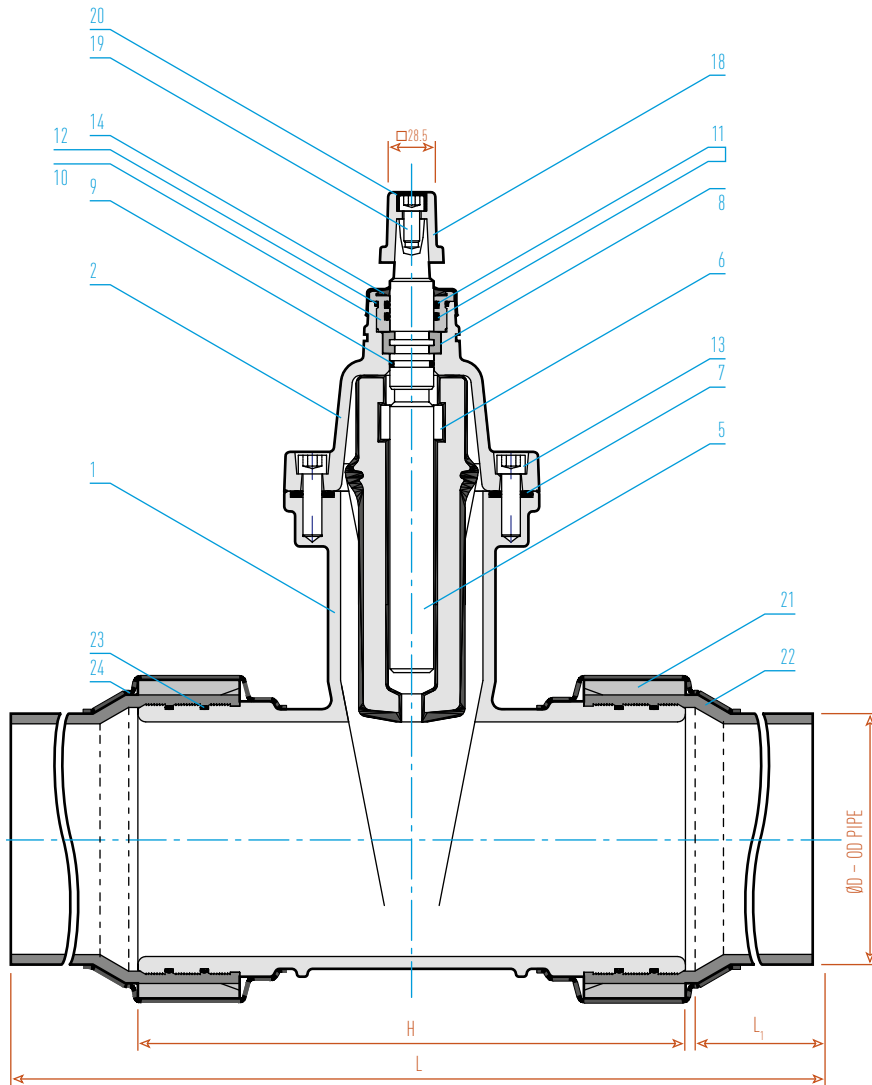
BELGICAST certifications

AENOR Registered Firm
Certificate ER-0137/1993
ISO 9001:2000-IQNet ES-0137/1993
EN1074:Kiwa Report No 50800203

BELGICAST® GATE VALVES

RESILIENT SEATED - POLYETHYLENE ENDS

DN 50 - DN 300 PN 16. FOR WELDED INSTALLATION BY FUSION TO POLYETHYLENE PIPE



PARTS LIST

No	Description Material / Standard
1	Body GGG-50 / DIN EN 1563
2	Bonnet GGG-50 / DIN EN 1563
3	Wedge GGG-50 / DIN EN 1563
4	Wedge Coating EPDM/NBR / UNE EN 681-1
5	Stem X20 Cr13 / DIN 17440
6	Wedge Lock Nut DZR/CW602N / UNE EN 12165
7	Body-Bonnet Gasket EPDM/NBR / UNE EN 681-1
8	Fix Washer Copper Alloy / UNE EN 12165
9	O-ring (stem) EPDM / UNE EN 681-1
10	Stuffing Nut Copper Alloy / UNE EN 12165
11	O-ring (stuffing nut) NBR / ASTM 2000
12	O-ring (stuffing nut/bonnet) NBR / ASTM 2000
13	Body Bonnet Bolt Steel 8.8
14	Dust Guard EPDM/NBR / UNE EN 681-1
15	Handwheel Stamped Steel
16	Handwheel Bolt X5 CrNi 18 10 / DIN 17440
17	Handwheel Washer X5 CrNi 18 10 / DIN 17440
18	Square Cap GGG-50 / DIN EN 1563
19	Square Cap Bolt X5 CrNi 18 10 / DIN 17440
20	Tape Square LUPOLEN
21	Pressure Gasket F-1141 / UNE 36011
22	Pipe Polyethylene
23	Watertightness O-ring EPDM/NBR / ASTM D2000
24	Retractable Pipe for Protection Polymeric

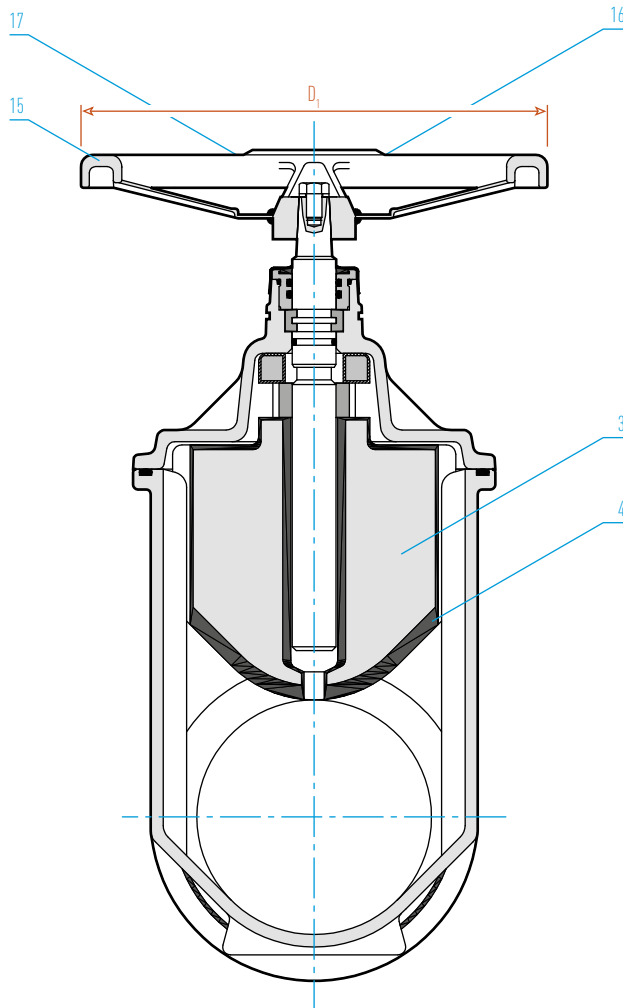
SPECIFICATIONS

DN	ØD Pipe OD	L	L ₁	H	A	D ₁	No Turns for Closing
50	63	744	240	250	202.5	125	12.5
65	75	760	240	270	233	150	13
80	90	770	240	280	268	175	16
100	110	790	240	300	310	200	20
100	125	790	240	300	310	200	20
125	140	816	240	325	357.5	275	25
150	160	840	240	350	398.5	315	30
150	180	840	240	350	398.5	315	30
200	200	990	290	400	488.5	375	33
200	225	990	290	400	488.5	375	33
200	250	990	290	400	488.5	375	33
300	315	1090	290	500	509	500	50

BELGICAST® GATE VALVES

RESILIENT SEATED - POLYETHYLENE ENDS

DN 50 - DN 300 PN 16. FOR WELDED INSTALLATION BY FUSION TO POLYETHYLENE PIPE



RECOMMENDED SPECIFICATION

The allowable operating pressure shall be 1600kPa

Operation shall be by means of a key / handwheel

The direction of closing shall be anticlockwise / clockwise

The valve body and bonnet shall be cast in Ductile Iron and coated with a thermally bonded polymeric coating

The gate shall be cast in Ductile Iron and fully encapsulated in EPDM elastomer – partially coated wedges are not acceptable

The stem shall be Grade 420 stainless steel incorporating a failsafe thrust collar.

The spindle seal shall be effected by a minimum of two O-rings, which can be replaced under full operating pressure

Fasteners shall be completely isolated from the external environment

AUCKLAND

P +64 9 921 7230
F +64 9 921 7231
sales@asmusswater.co.nz

CHRISTCHURCH

P +64 3 349 1530
F +64 9 921 7231
sales@asmusswater.co.nz

HAMILTON

P +64 7 849 0535
F +64 7 849 6980
sales@asmusswater.co.nz

WELLINGTON

P +64 4 913 8510
F +64 4 913 8511
sales@asmusswater.co.nz

ASMUSS WATER SYSTEMS

8 CLEMOW DRIVE, MT WELLINGTON, AUCKLAND 1644 NEW ZEALAND / WWW.ASMUSSWATER.CO.NZ

All Assmuss trademarks and logos are owned by Assmuss Ltd. All other brand or product names are trademarks or registered marks of their respective owners. Because we are continuously improving our products and services, Assmuss reserves the right to change specifications without prior notice. APPNZ1405©2014 Assmuss Ltd. All rights reserved

VIADUX WATER NETWORK SYSTEMS

PO BOX 141 FAIRFIELD, NEW SOUTH WALES 1860 / VIADUX.COM.AU / PHONE 02 9794 3400 AUSTRALIA

All Viadux trademarks and logos are owned by Viadux Pty Ltd. All other brand or product names are trademarks or registered marks of their respective owners. Because we are continuously improving our products and services, Viadux reserves the right to change specifications without prior notice. TBRS1505.1