

SUPERCHECK SWING CHECK VALVES

RESILIENT SEATED -DN 100 & DN 150

ENABLE FASTER CLOSING WITH REDUCED WATER HAMMER



Ductile Iron body and cover for high strength and impact resistance

Thermally bonded polymeric coating provides long life protection to all ductile iron components

Full bore design for minimum head loss

No debris pockets

Disc held in open position by positive pressure to avoid fluctuations

Free acting and counterweight versions available. Interchangeable in the field

Limit switch fit out available

Free acting version features EPDM encapsulated gunmetal disc with pressure activated lip seal and fully flexible rubber hinge

Counterweight version features EPDM encapsulated gunmetal disc with pressure activated lip seal and solid stainless steel shaft

Counterweight utilises separate shaft located in the cover to enable rapid closing and lessen fluctuations

Adjustable counterweight can be mounted on either side of the valve

Integral body seat for maintenance free operation

Integral cast feet for safe and easy storage

Counterweight shaft seals are O-Ring type to ensure leak free operation

Isolated fasteners for corrosion protection

Slotted holes on top of inlet flange to facilitate bolt insertion when connecting to adjacent valves

GENERAL APPLICATION

SUPERCHECK Swing Check Valves are suitable for water and wastewater applications. Used to prevent backflow within a pipeline

TECHNICAL DATA

Size Range DN 100 and DN 150

Allowable Operating Pressures 1600kPa

Maximum Temperature 40°C

Minimum Flow Disc fully open-1.4m/s

End Connections:

Flanged to AS 4087 Fig B5

Standards

AS 4794 - Non-return valves for waterworks purposes

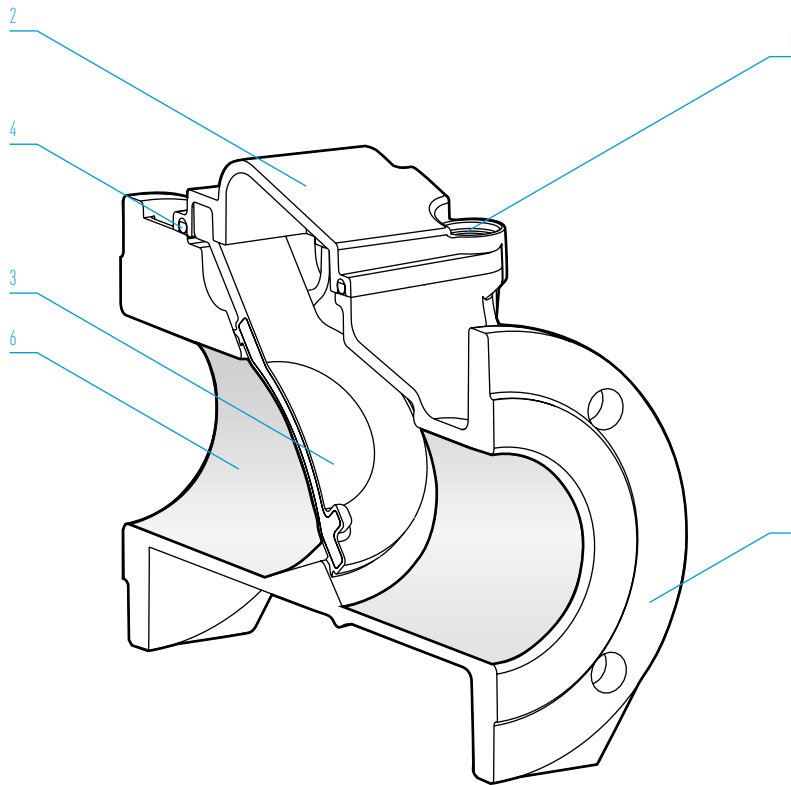
Certifications:

Certified to AS 4020 - Suitable for contact with drinking water

SUPERCHECK SWING CHECK VALVES

RESILIENT SEATED - DN 100 & DN 150

FREE ACTING



PARTS LIST

No	Description Material / Standard
1	Body Ductile Iron / AS 1831-400/15
2	Cover Ductile Iron / AS 1831-400/15
3	Disc Flexible Gun Metal (EPDM coated) / AS 1565 C83600
4	Gasket EPDM / AS 1646
5	Countersunk Screws 316 Stainless Steel / ASTM A276
6	Coating Rilsan Nylon 11 / AS/NZS 4158

TYPICAL SPECIFYING SEQUENCE

Specifying a DN 150 free acting, resilient seated check valve with AS 4087 Figure B5 flanges

Example	150	RS CHK VLV	TC	FA	HPFC
Nominal Size					
Resilient Seat Check Valve					
End Type - Flanged - AS 4087 Figure B5					
Action - FA: Free Acting, CWT: Counterweight					
Extra Information - FC: Fusion Coated					

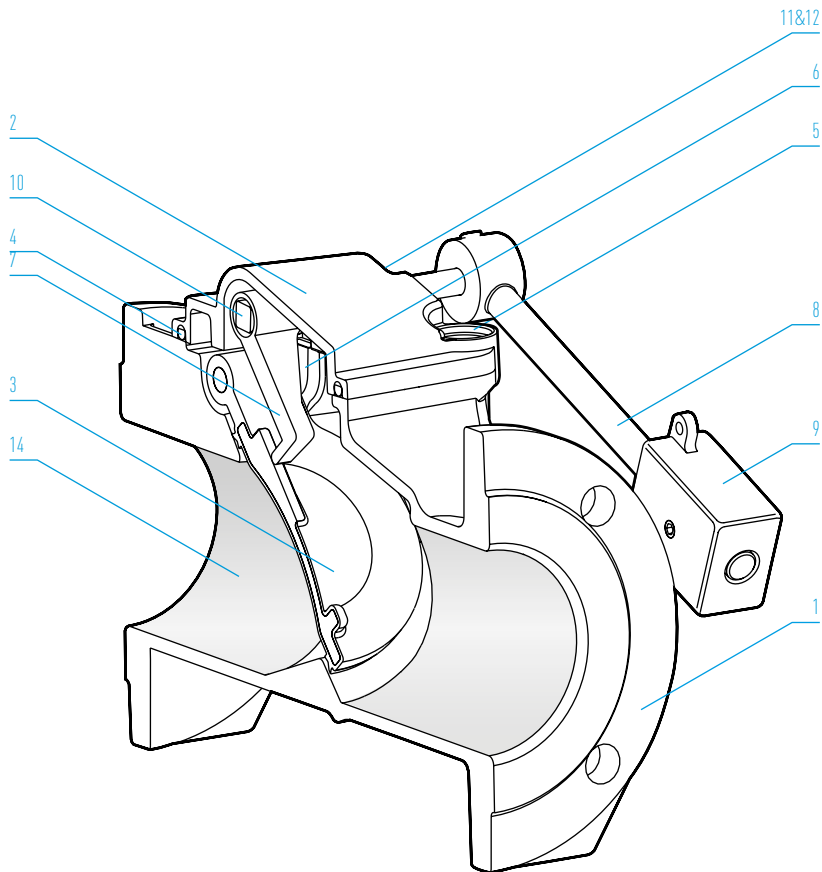
DIMENSIONS

Nominal Size, DN	Length mm	Width mm	Height mm
100	330	215	254
150	410	329	343

SUPERCHECK SWING CHECK VALVES

RESILIENT SEATED - DN 100 & DN 150

COUNTERWEIGHT



PARTS LIST

No	Description Material / Standard
1	Body Ductile Iron / AS 1831-400/15
2	Cover Ductile Iron / AS 1831-400/15
3	Disc Hinged Gun Metal (EPDM coated) / AS 1565 C83600
4	Gasket EPDM / AS 1646
5	Countersunk Screws 316 Stainless Steel / ASTM A276
6	Hinge Bush Gunmetal / AS1565 C83600
7	Anvil Gunmetal / AS1565 C83600
8	Lever Stainless Steel / ASTM A240-316
9	Weight Ductile Iron / AS 1831-400/15
10	Shaft Stainless Steel / ASTM A276-431
11	Bush - hollow (hidden) Gunmetal / AS1565 C83600
12	O-rings (hidden) Nitrile Rubber / AS 1646
13	Bush - blank (not shown) Gunmetal / AS1565 C83600
14	Coating Rilsan Nylon 11 / AS/NZS 4158

TYPICAL SPECIFYING SEQUENCE

Specifying a DN 100 counterweight, resilient seated check valve with AS 4087 Figure B5 flanges

Example	100	RS CHK VLV	TC	CWT	HPFC
Nominal Size					
Resilient Seat Check Valve					
End Type - Flanged - AS 4087 Figure B5					
Action - FA: Free Acting, CWT: Counterweight					
Extra Information - FC: Fusion Coated					

DIMENSIONS

Nominal Size, DN	Length mm	Width mm	Height mm
100	330	269	254
150	410	340	343

SUPERCHECK SWING CHECK VALVES RESILIENT SEATED -DN 100 & DN 150

ENABLE FASTER CLOSING WITH REDUCED WATER HAMMER

RECOMMENDED SPECIFICATION

Swing check valves shall be resilient seated conforming to AS 4794

The allowable operating pressure shall be 1600 kPa

Disc shall be fully open at a velocity 1.4m/s

The valve body and cover shall be cast in Ductile Iron and coated with a thermally applied polymeric coating to AS/NZS 4158

The disc shall be encapsulated in EPDM rubber to AS 1646

Fasteners shall be completely isolated from the external environment

WHERE A LEVER AND WEIGHT IS USED

The counterweight shaft seal shall be affected by a minimum of two O-rings

The disc hinge pin and counterweight shaft shall be separate to facilitate rapid closing of the disc

The lever shall be grade 316 stainless steel to ASTM A240

The weight shall be ductile iron coated with a thermally applied polymeric coating conforming to AS/NZS 4158

AUCKLAND

P +64 9 921 7230
F +64 9 921 7231
sales@asmusswater.co.nz

CHRISTCHURCH

P +64 3 349 1530
F +64 9 921 7231
sales@asmusswater.co.nz

HAMILTON

P +64 7 849 0535
F +64 7 849 6980
sales@asmusswater.co.nz

WELLINGTON

P +64 4 913 8510
F +64 4 913 8511
sales@asmusswater.co.nz

ASMUSS WATER SYSTEMS

8 CLEMOW DRIVE, MT WELLINGTON, AUCKLAND 1644 NEW ZEALAND / WWW.ASMUSSWATER.CO.NZ

All Asmuss trademarks and logos are owned by Asmuss Ltd. All other brand or product names are trademarks or registered marks of their respective owners. Because we are continuously improving our products and services, Asmuss reserves the right to change specifications without prior notice. APPNZ1405©2014 Asmuss Ltd. All rights reserved

VIADUX WATER NETWORK SYSTEMS

PO BOX 141 FAIRFIELD, NEW SOUTH WALES 1860 / VIADUX.COM.AU / PHONE 02 9794 3400 AUSTRALIA

All Viadux trademarks and logos are owned by Viadux Pty Ltd. All other brand or product names are trademarks or registered marks of their respective owners. Because we are continuously improving our products and services, Viadux reserves the right to change specifications without prior notice. TSSCV.1506
